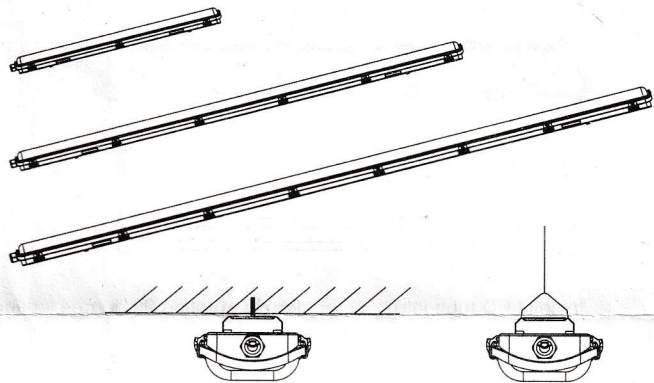
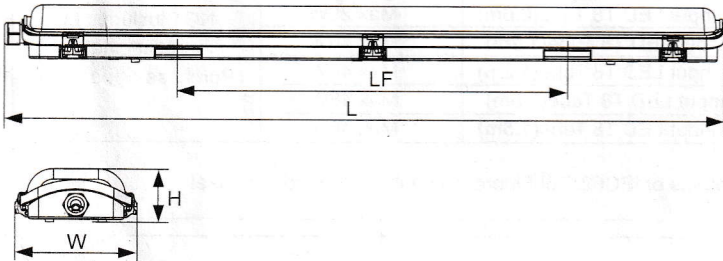


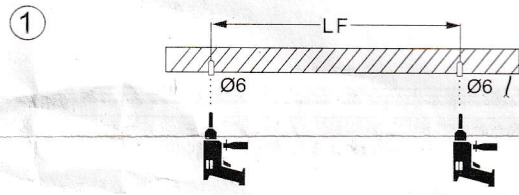
## LED Waterproof EP series

Model	Clip Material	kg
LED WP-EP 600-2T-S	Metal/Plastic	0.58/0.57
LED WP-EP 600-2T-D	Metal/Plastic	0.57/0.56
LED WP-EP 1200-2T-S	Metal/Plastic	1.03/0.99
LED WP-EP 1200-2T-D	Metal/Plastic	1.00/0.96
LED WP-EP 1500-2T-S	Metal/Plastic	1.28/1.23
LED WP-EP 1500-2T-D	Metal/Plastic	1.23/1.18

Model	L (mm)	W (mm)	H (mm)	LF (mm)
LED WP-EP 600-2T-S	688	116	56	370
LED WP-EP 600-2T-D	688	116	56	370
LED WP-EP 1200-2T-S	1288	116	56	860
LED WP-EP 1200-2T-D	1288	116	56	860
LED WP-EP 1500-2T-S	1588	116	56	1160
LED WP-EP 1500-2T-D	1588	116	56	1160

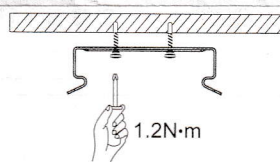
①



Model	LF(mm)
LED WP-EP 600-2T-S	370
LED WP-EP 600-2T-D	370
LED WP-EP 1200-2T-S	860
LED WP-EP 1200-2T-D	860
LED WP-EP 1500-2T-S	1160
LED WP-EP 1500-2T-D	1160

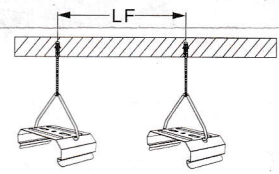
②

Surface Mounting



1.2N·m

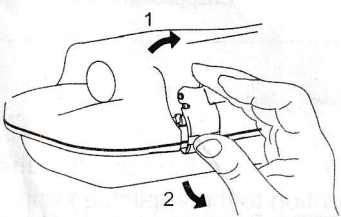
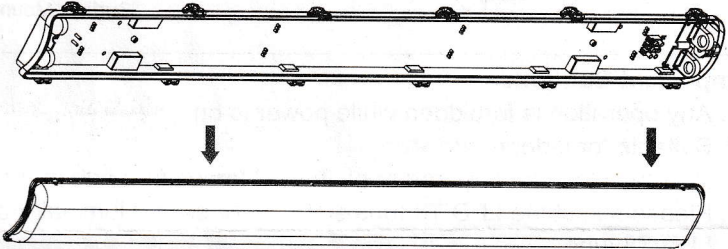
Suspension Mounting



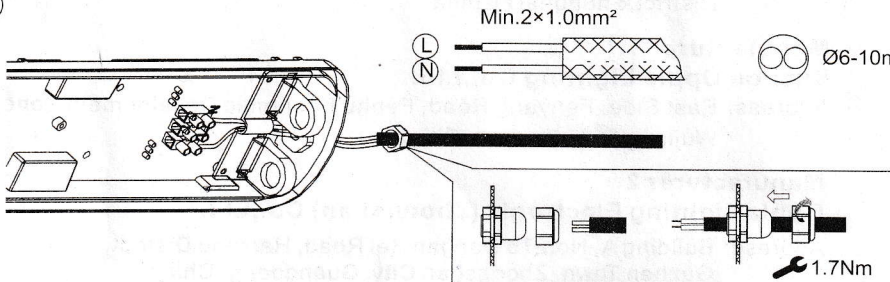
Installation Screw ST3.9×25

\* Suspended rope accessory is NOT included in packaging. (Purchase Separately)

③

④



Min. 2×1.0mm<sup>2</sup>

Ø6-10mm

\* Input Voltage follow rated input of LED T8

1.7Nm

IP65 protection can only be guaranteed with properly fastened waterproof joint.